

USER MANUAL



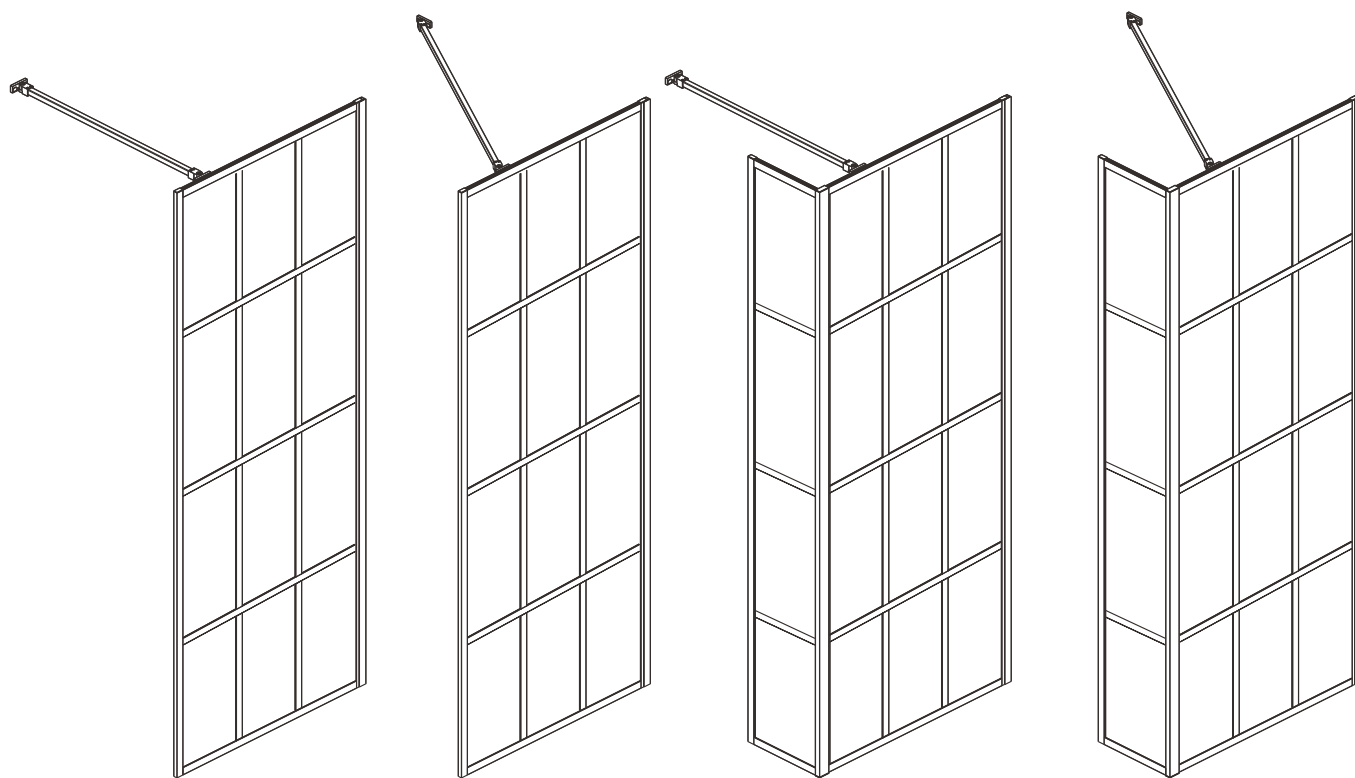
Thank you for choosing Better Bathrooms.
Please read this manual before installing your product
and keep for future reference.

better 
bathrooms

PRODUCT NAME – NOVA

PRODUCT CODE – BEBA_26112~BEBA_26117

BEBA_27455 & BEBA_26125



- **Two-person assembly**
- **We always recommend using professional tradespeople to install your product**

Congratulations on your purchase

And welcome to our growing gang of savvy shoppers

We're on a mission to bring you extraordinary bathroom products, for less. From modern to traditional style ceramics, plus the gorgeous fixtures, fittings and furniture to match. So, you can fall in love with your space every single day.

As one of the UK's largest independent bathroom stores, we've received countless awards; including the National Business Awards UK, the Digital Entrepreneur Awards and being placed on The Sunday Times Fast Track 100.

We hope your new product exceeds your highest expectations. However, if you experience any problems, please:

- call our friendly UK call centre on 03303903062 (9am-7pm Monday to Friday, or 10am-4pm Saturday and Sunday), or
- send us a message via **customerservices@buyitdirect.co.uk**

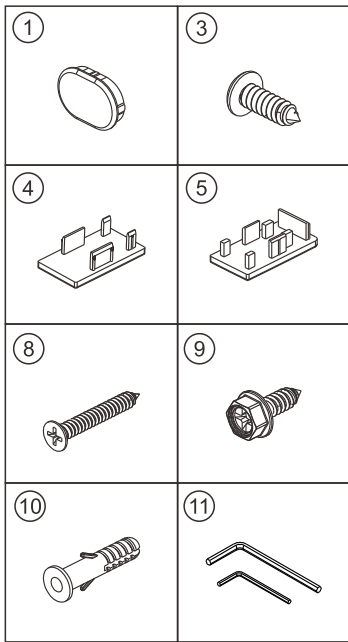
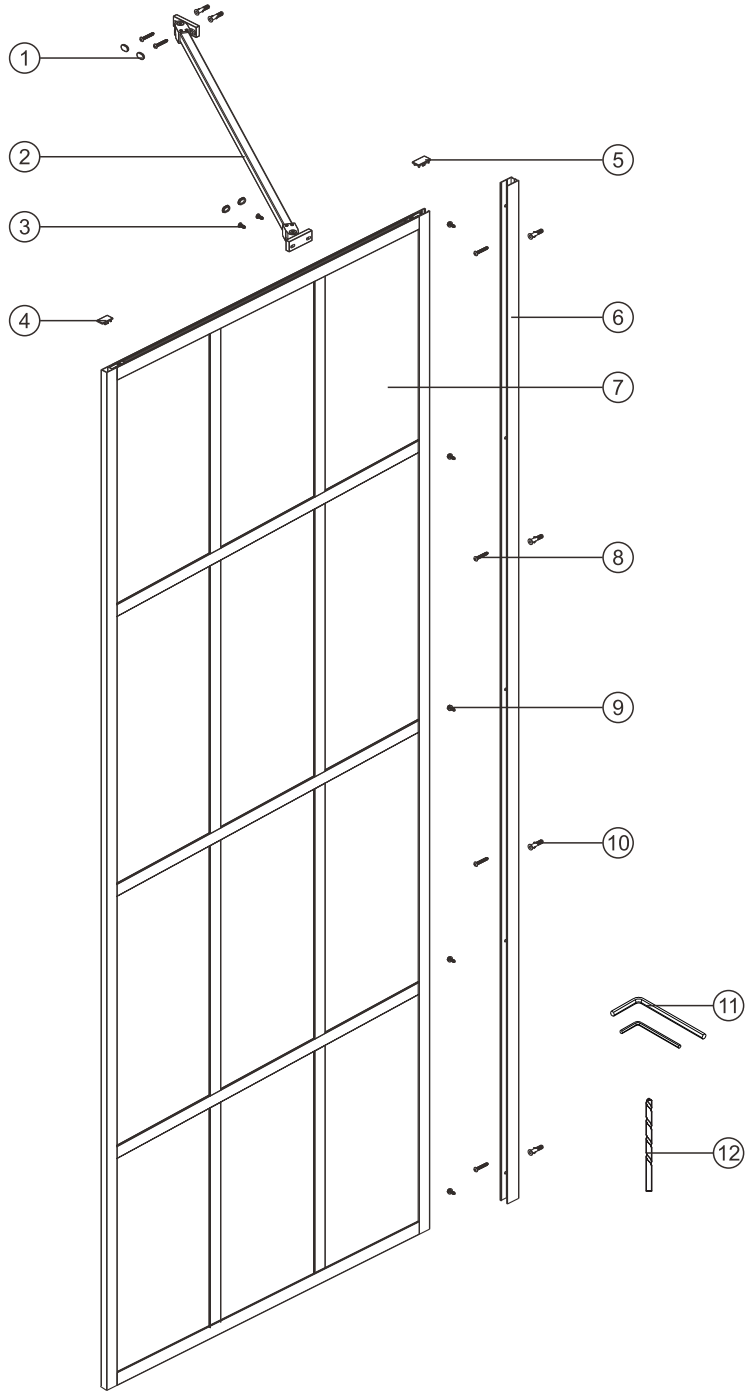
Important information

- Please read these instructions thoroughly and retain for future reference
- Thoroughly inspect your product before proceeding with the installation.
- The warranty will be void if the products installed with a conspicuous defect
- Before commencing drilling please check that no pipes or cables can be damaged.

CAUTION

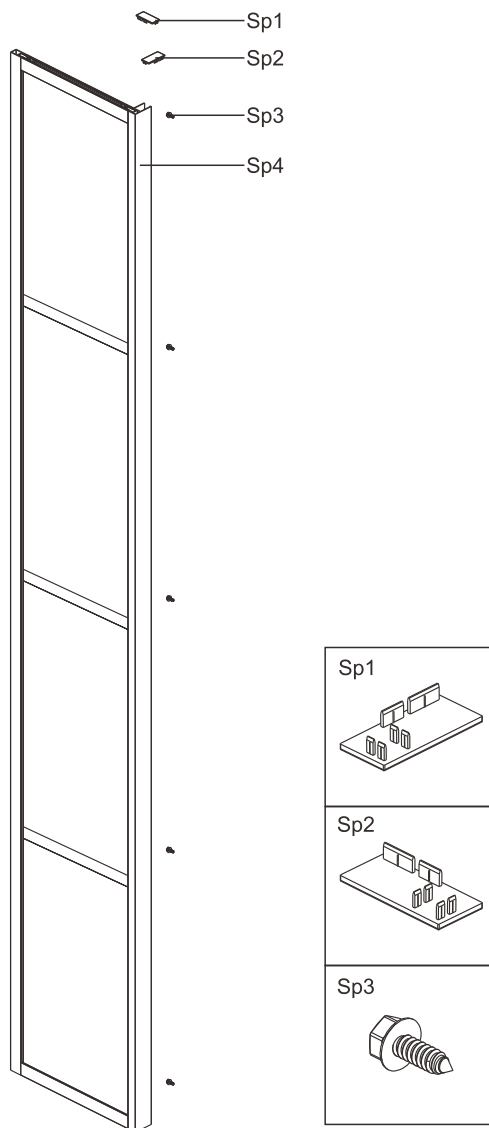
- To prevent leaks, silicone must be applied on the outside of the shower and not on the inside
- Read all instructions carefully before starting the installation
- Save this manual for future reference.

PARTS LIST



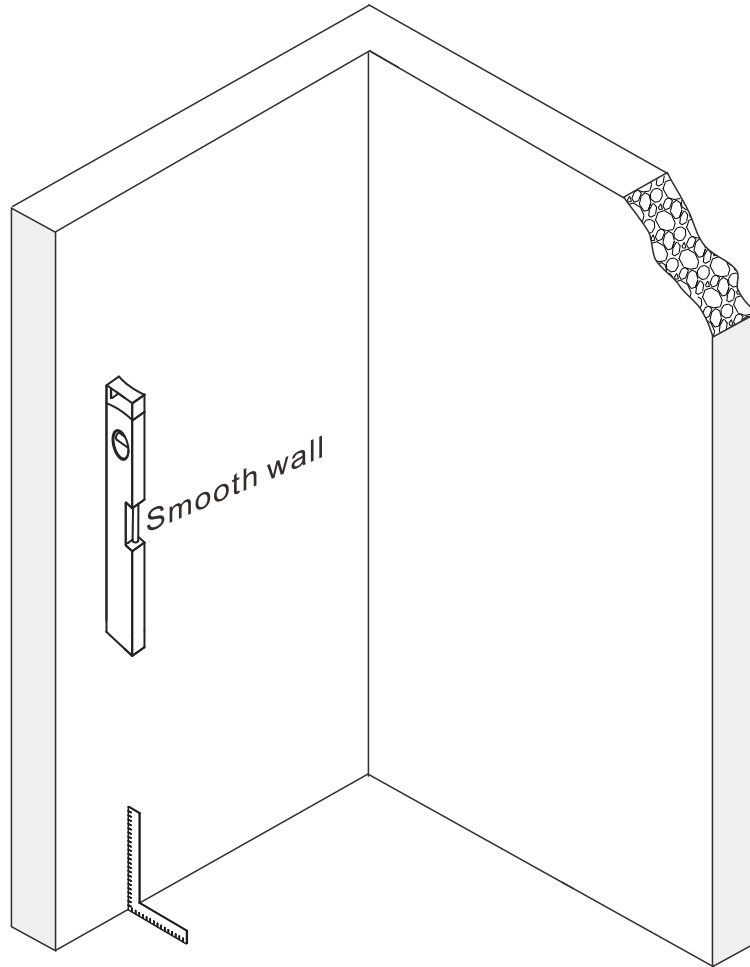
NO	Qty	Description	NO	Qty	Description
1	4	Screw cap	7	1	Fixed glass
2	1	Bracing bar	8	6	Screw ST4X30
3	2	Screw ST4X12	9	5	Screw ST4X12
4	1	Profile cap	10	6	Wall anchor
5	1	Profile cap	11	2	Allen key kit
6	1	Wall profile	12	1	Drill dit

PARTS LIST

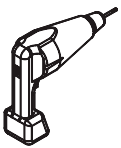


NO	Qty	Description
SP1	1	Profile cap L
SP2	1	Profile cap R
SP3	5	Screw ST4X12
SP4	1	Fixed glass

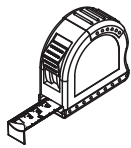
Preparation



Tools required



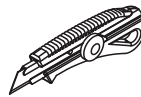
PERCEUSE
DRILL



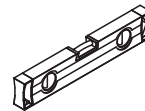
RUBAN À MESURER
MEASURING TAPE



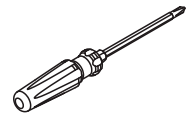
SILICONE
SILICONE



COUTEAU DE PRECISION
PRECISION KNIFE



NIVEAU
LEVEL



TOURNEVIS
SCREWDR



MAILLET
MALLET



ÉQUERRE
SET SQUARE



CRAYON
PENCIL



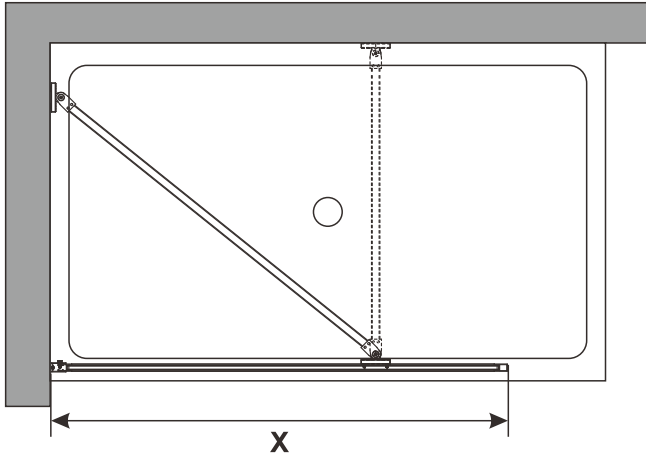
FORETS: 1/8", 3/16" ET 1/4"
*FORET À MAÇONNERIE
DRILL BITS: 1/8", 3/16" ET 1/4"
*MASONRY DRILL BIT



VIS
SCREWS

Installation

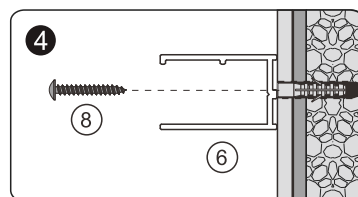
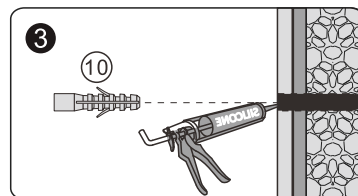
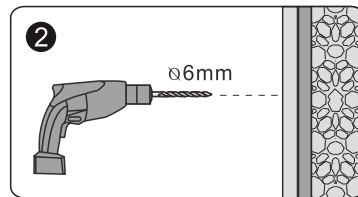
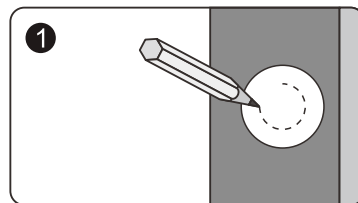
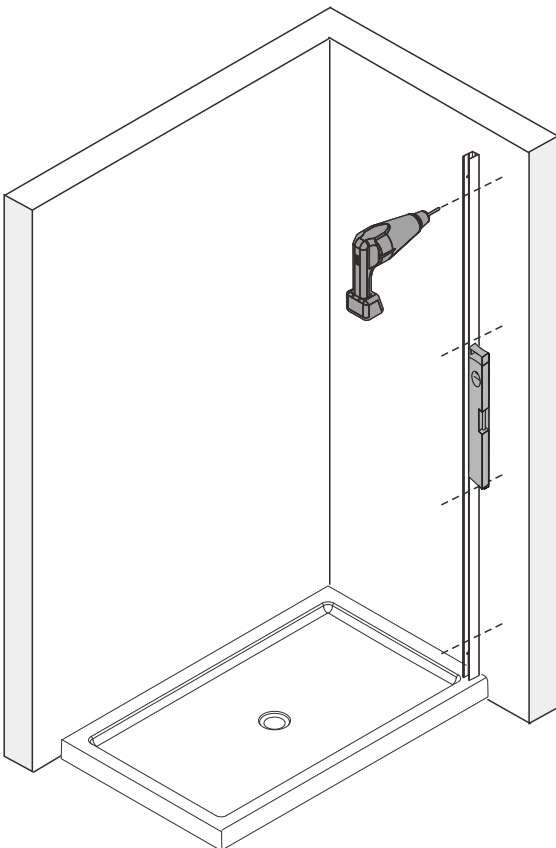
A 01



size	X,mm
700	680 - 690
800	780 - 790
900	880 - 890
1000	980 - 990
1100	1080 - 1090
1200	1180 - 1190
1400	1380 - 1390

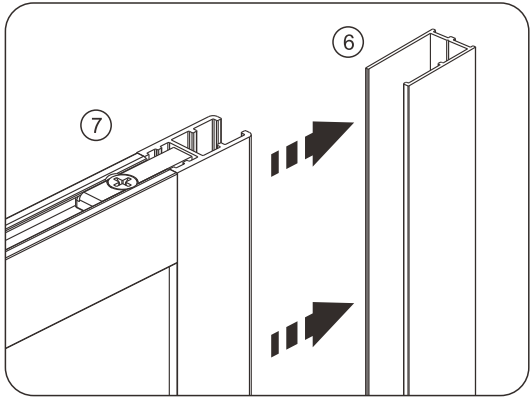
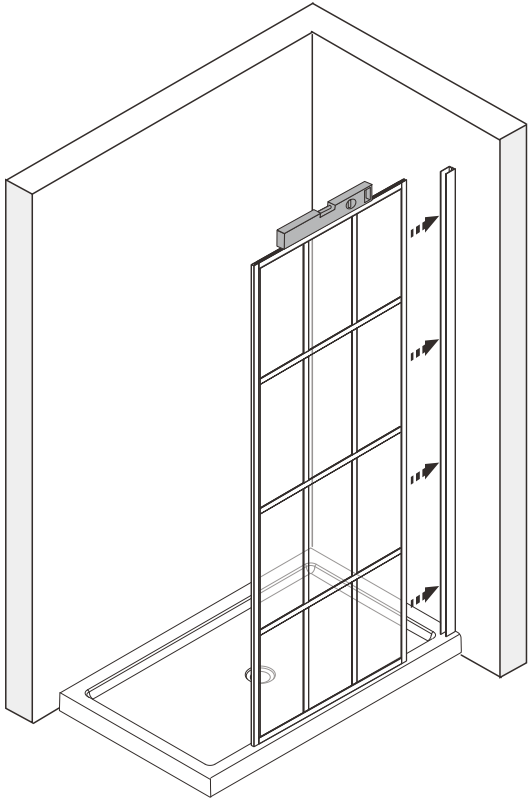
Continue

A 02



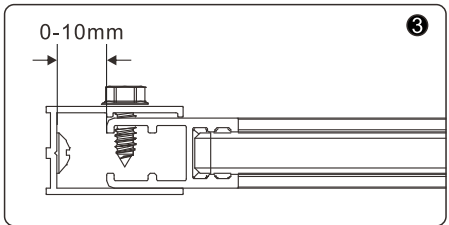
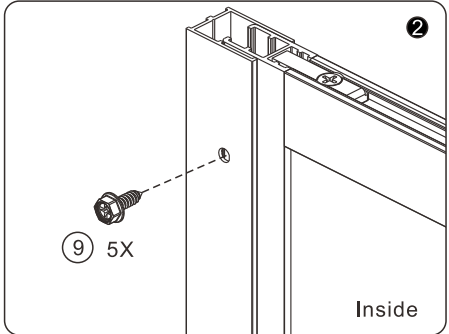
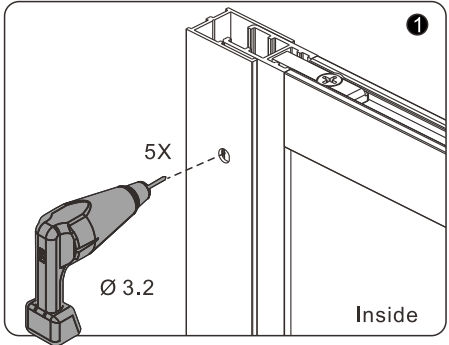
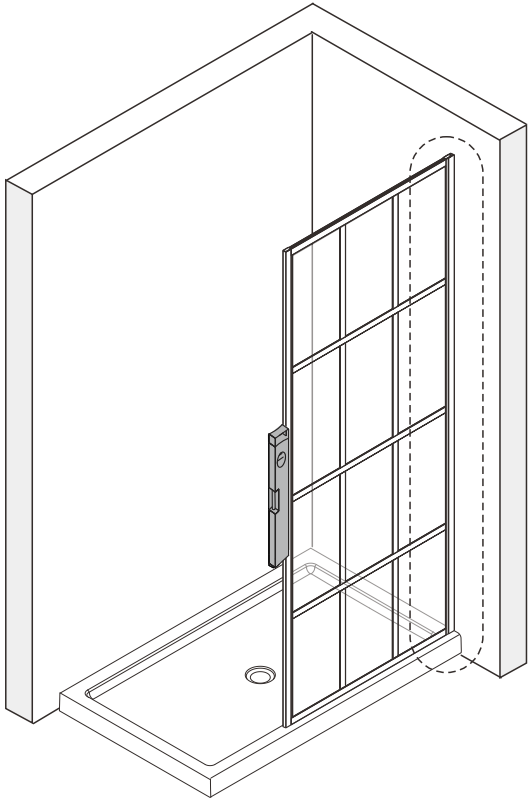
Continue

A 03

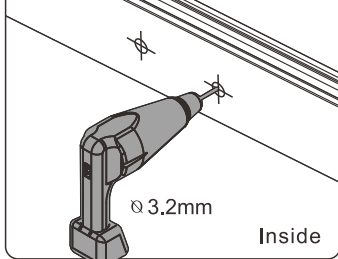
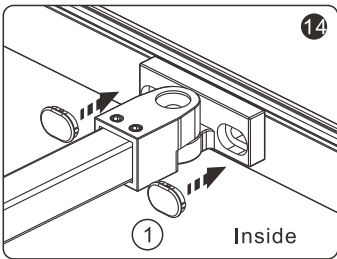
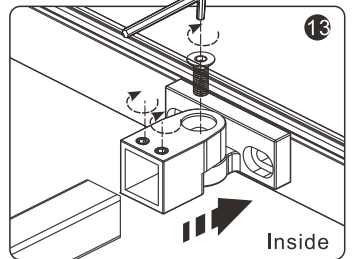
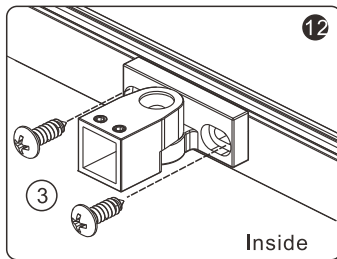
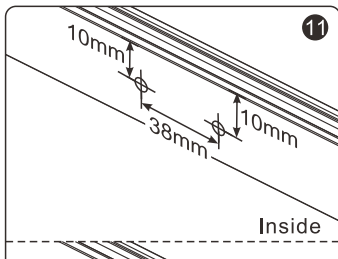
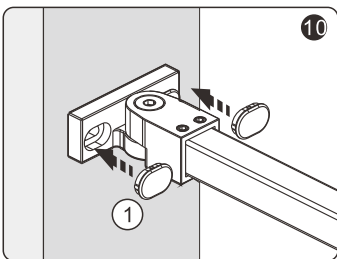
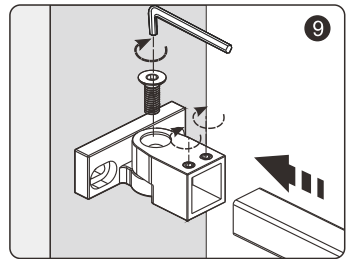
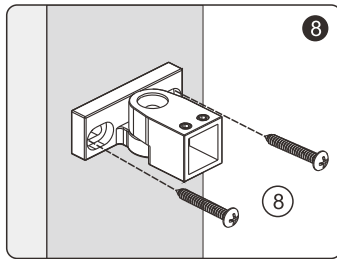
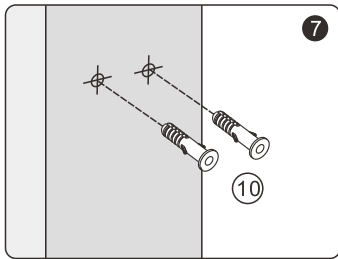
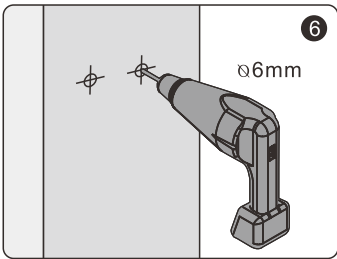
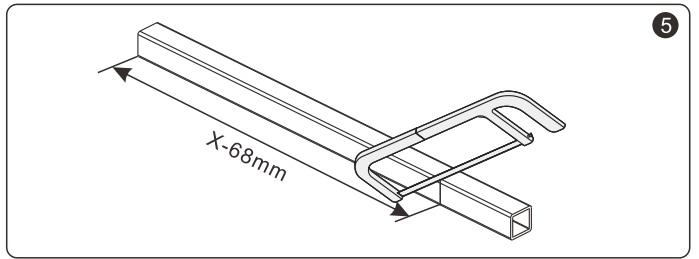
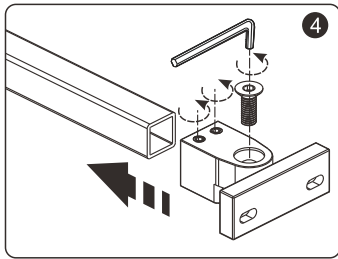
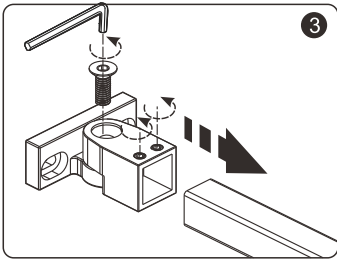
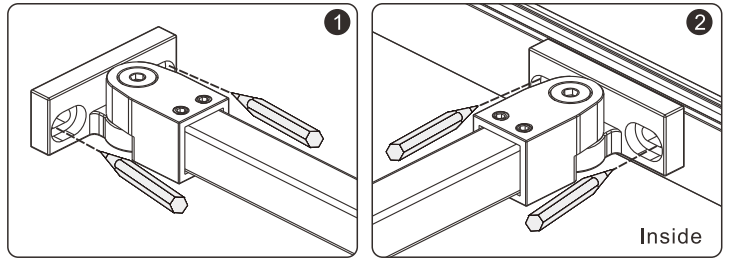
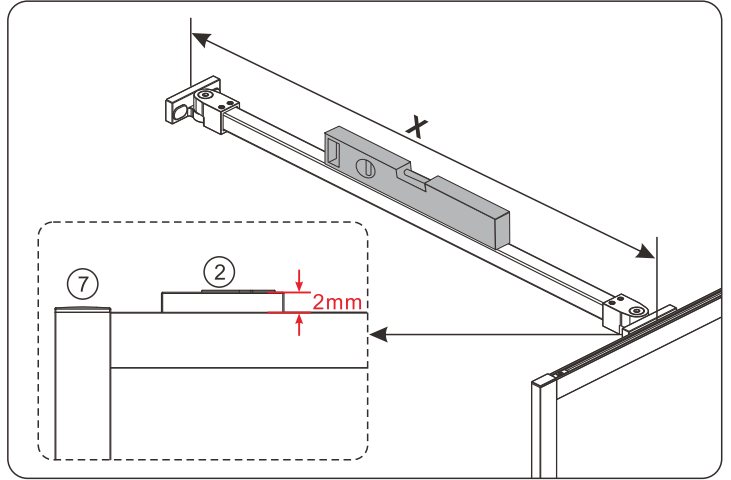
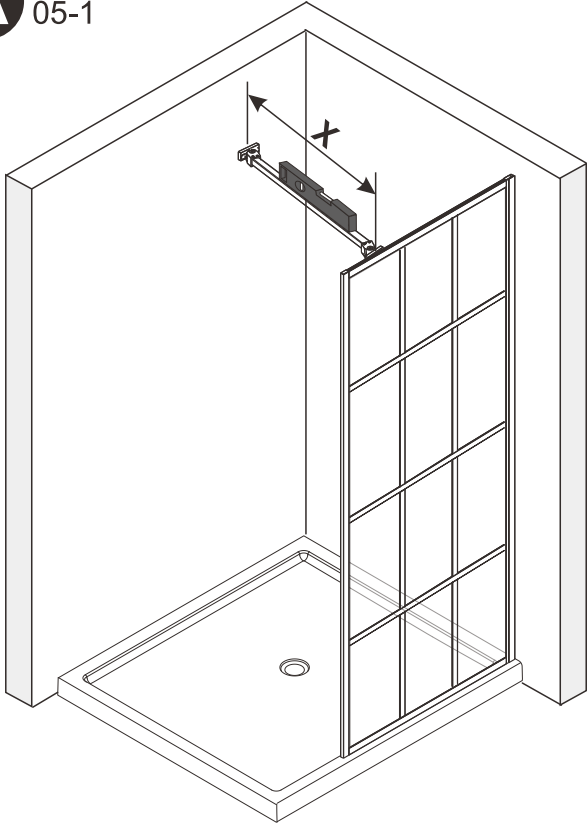


Continue

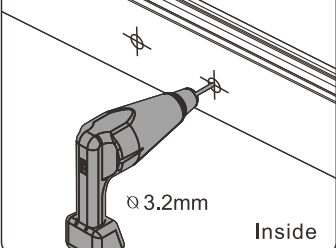
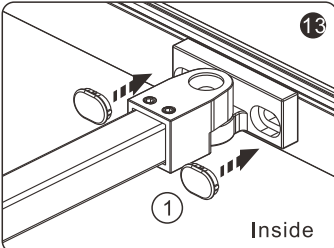
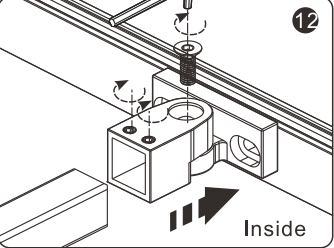
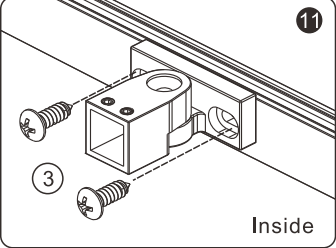
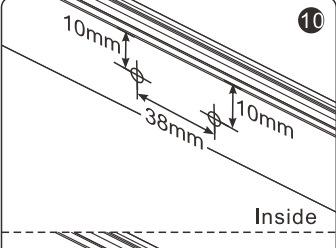
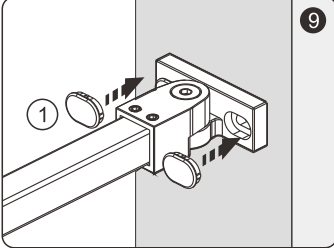
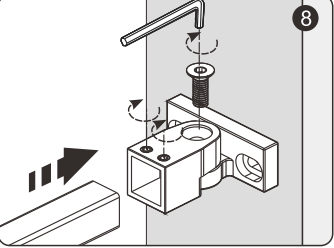
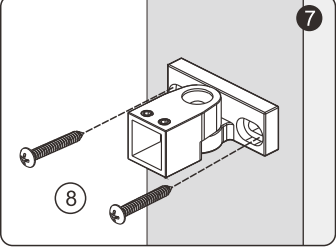
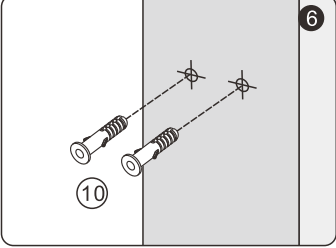
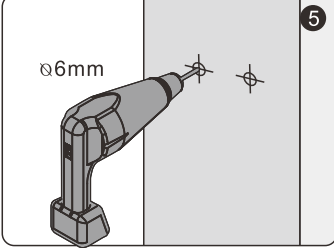
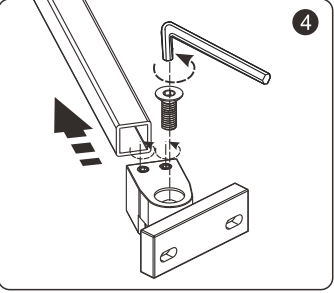
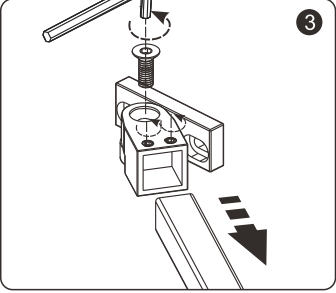
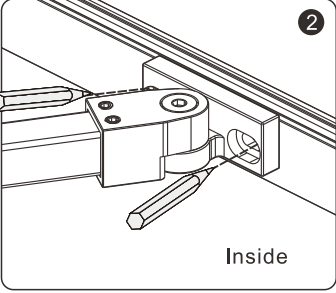
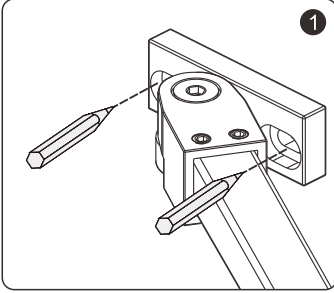
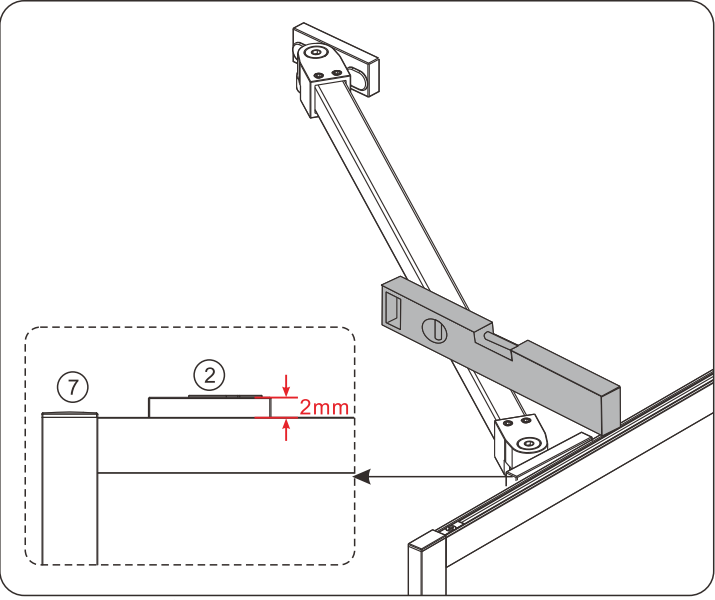
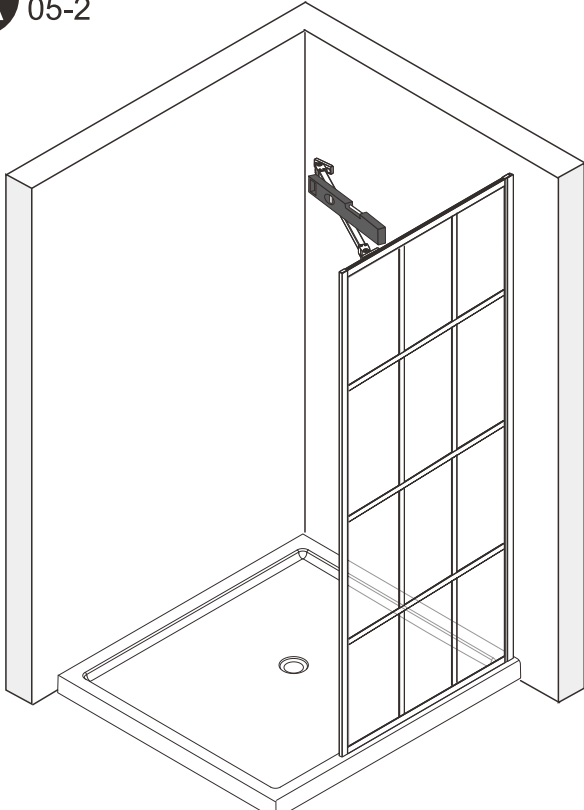
A 04



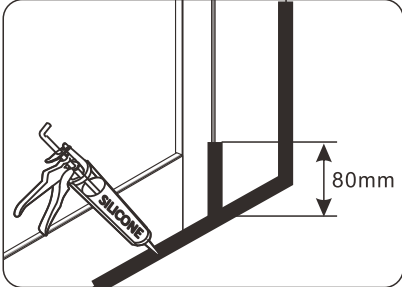
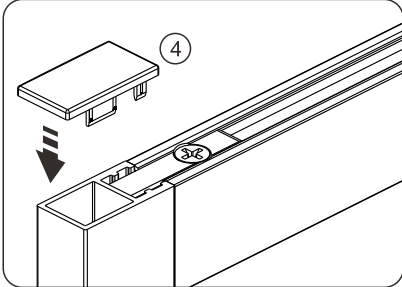
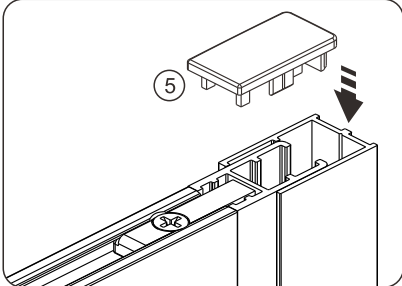
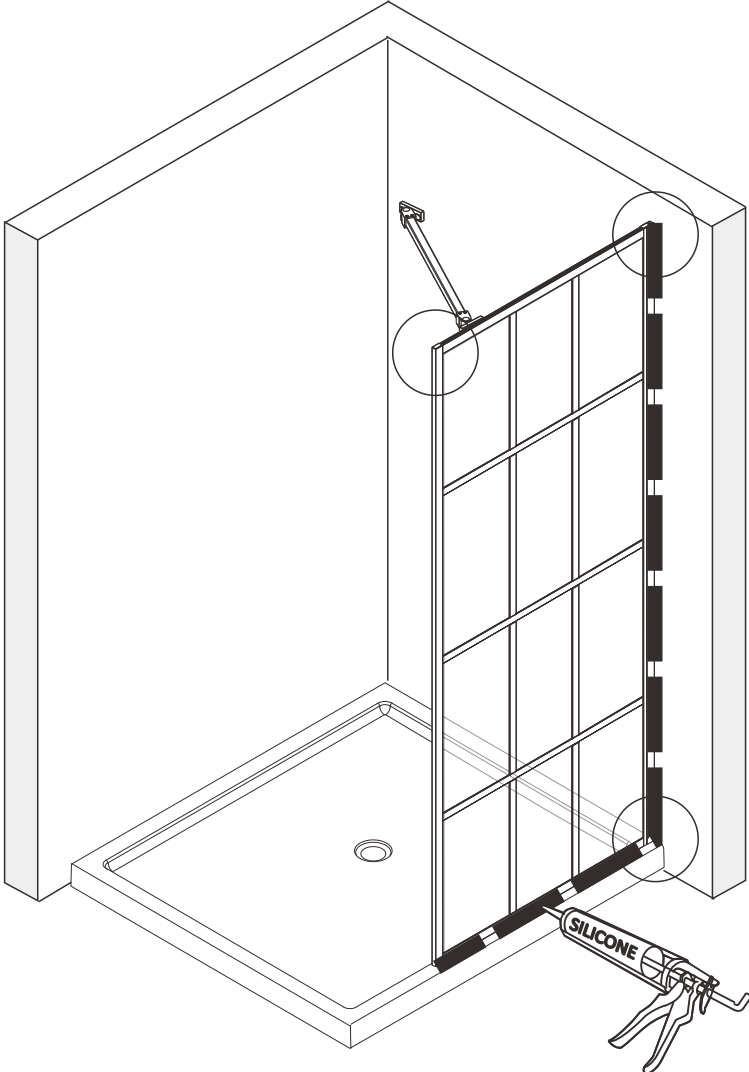
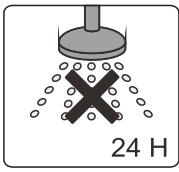
A 05-1



A 05-2

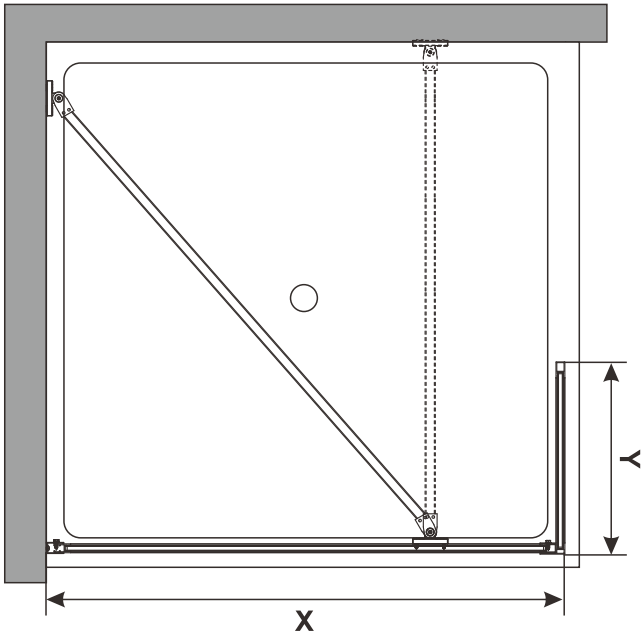


A 06



Installation

B 01

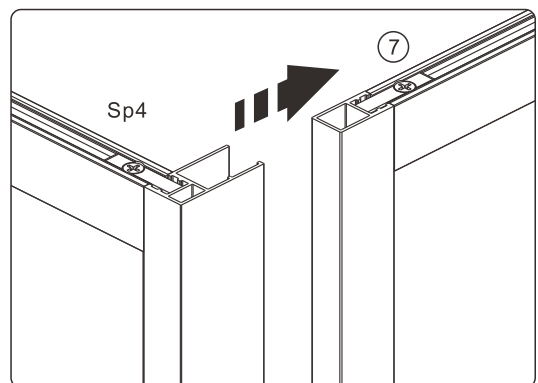
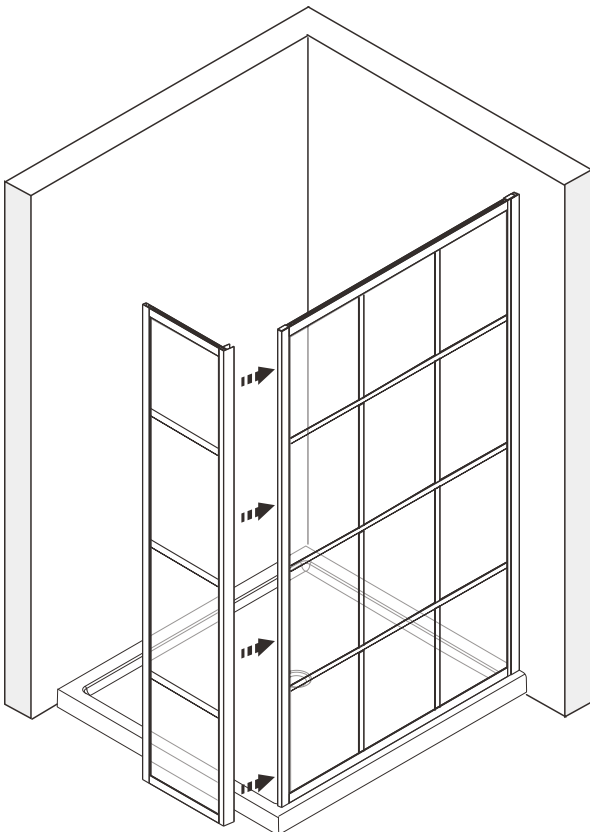


size	X,mm
700	680 - 690
800	780 - 790
900	880 - 890
1000	980 - 990
1100	1080 - 1090
1200	1180 - 1190
1400	1380 - 1390

size	Y,mm
300	300

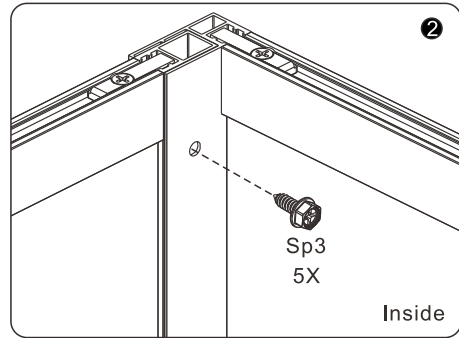
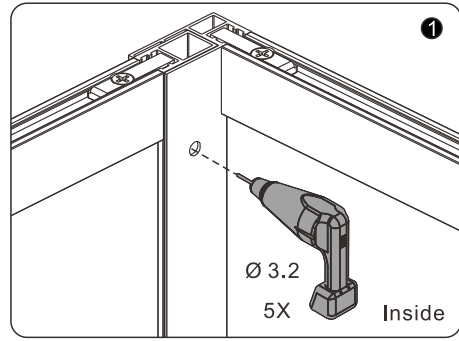
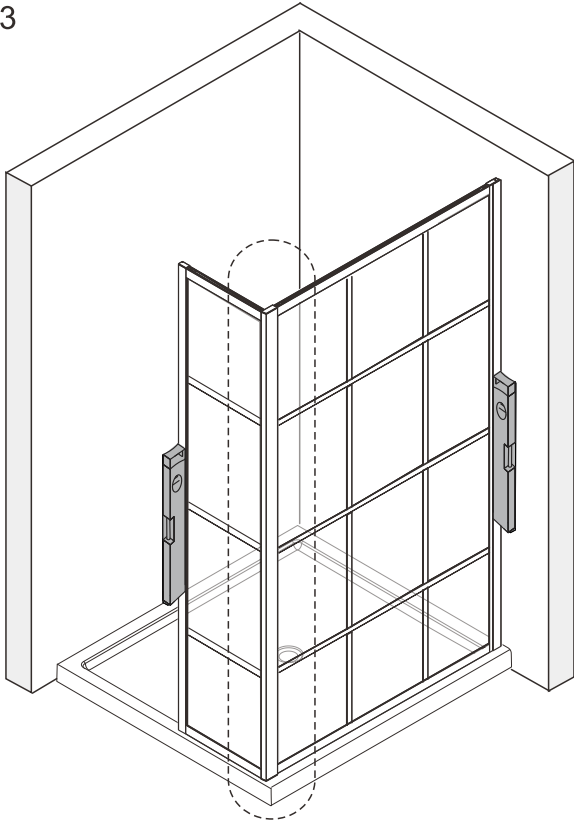
Continue

B 02



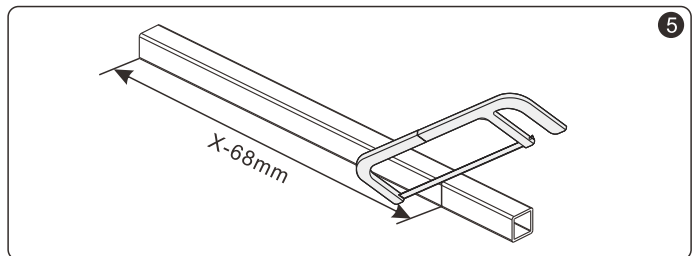
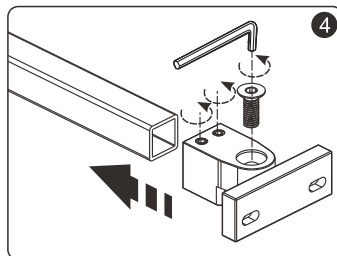
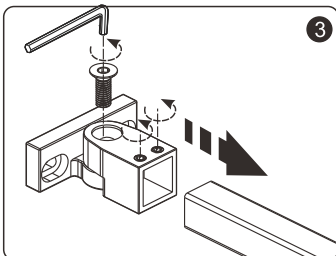
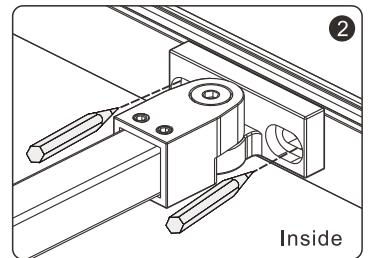
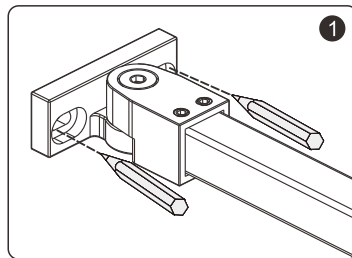
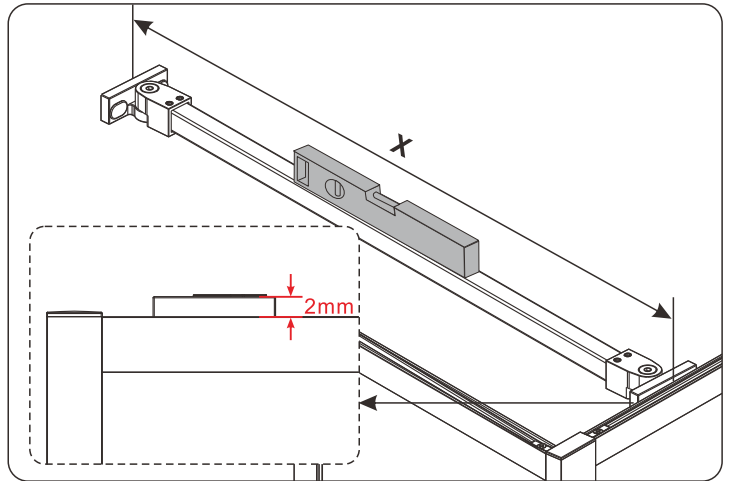
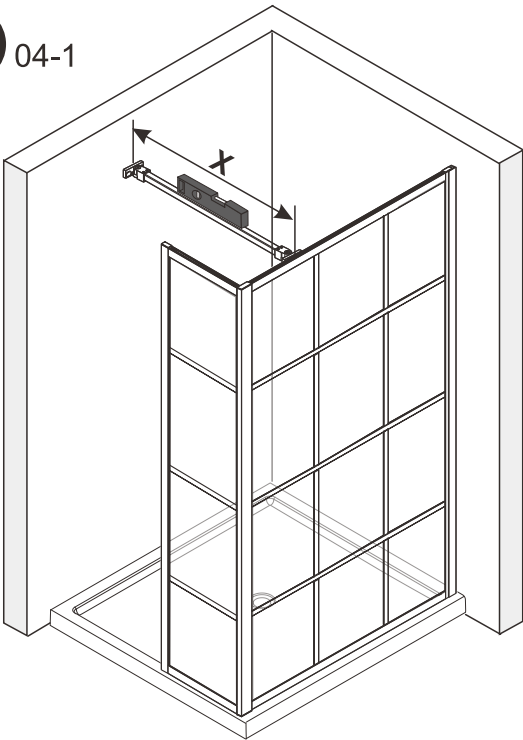
Continue

B 03



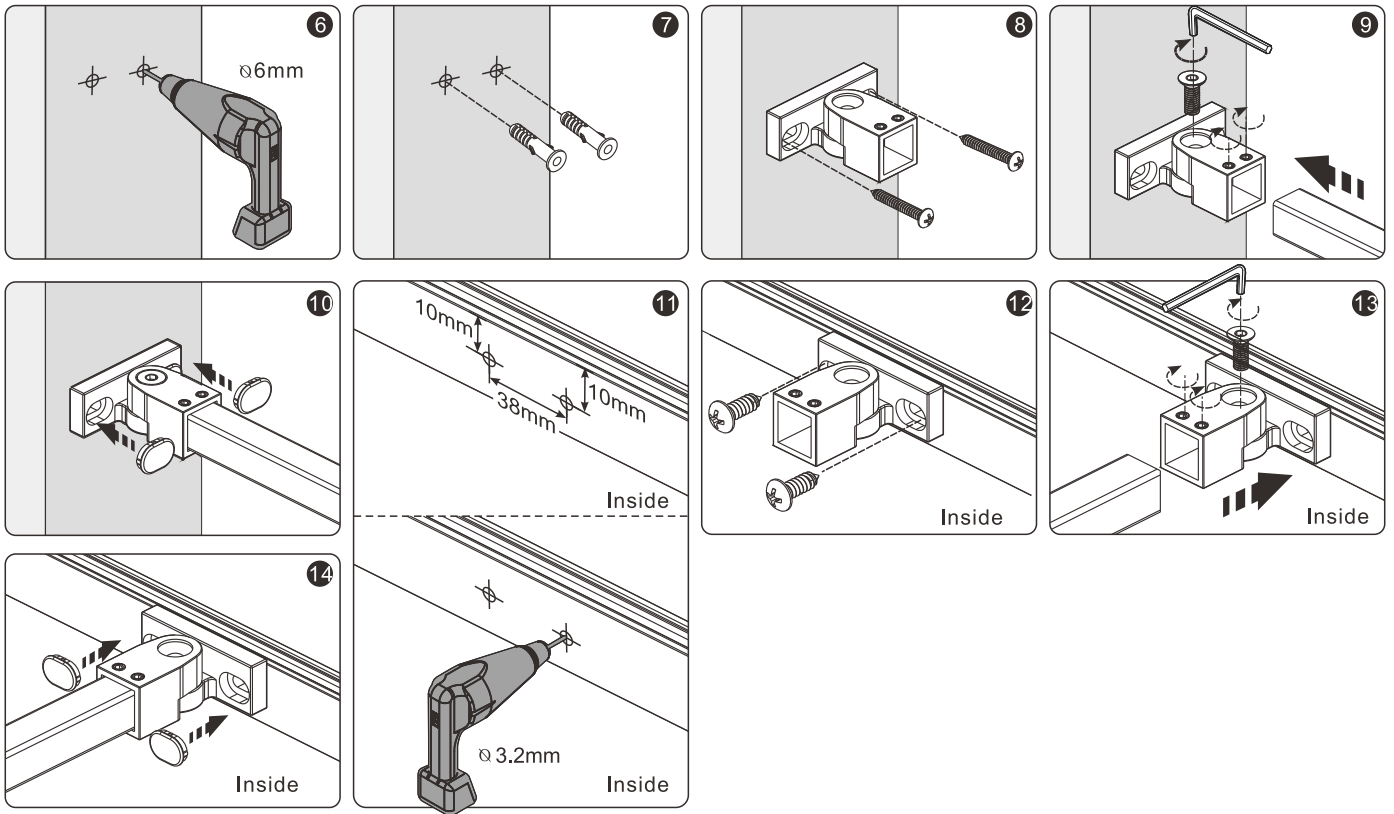
Continue

B 04-1



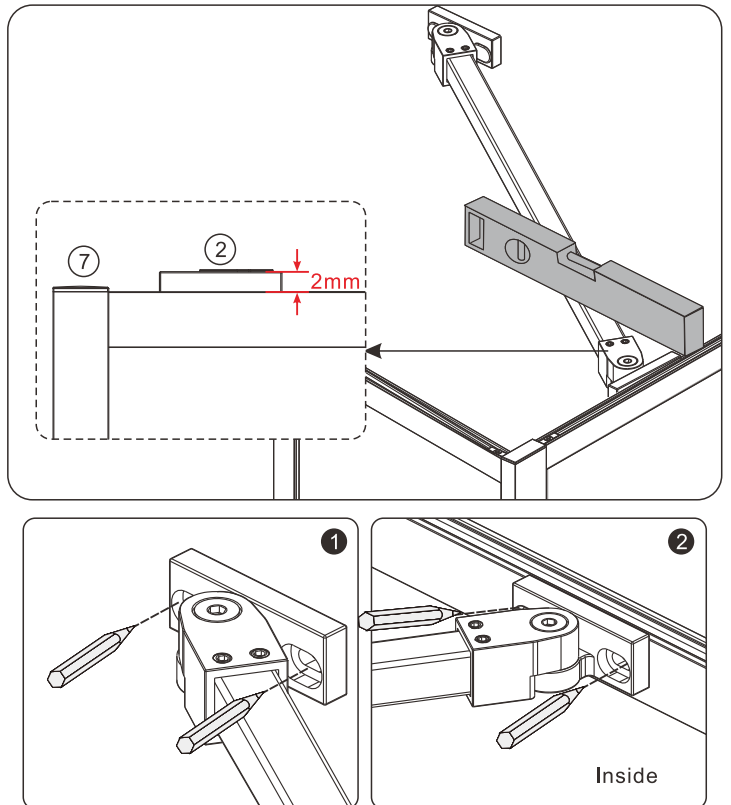
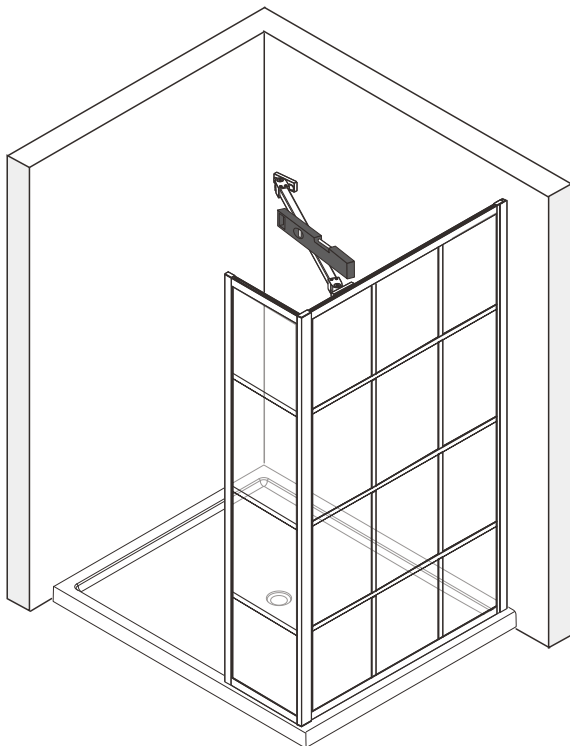
Continue

B 04-2



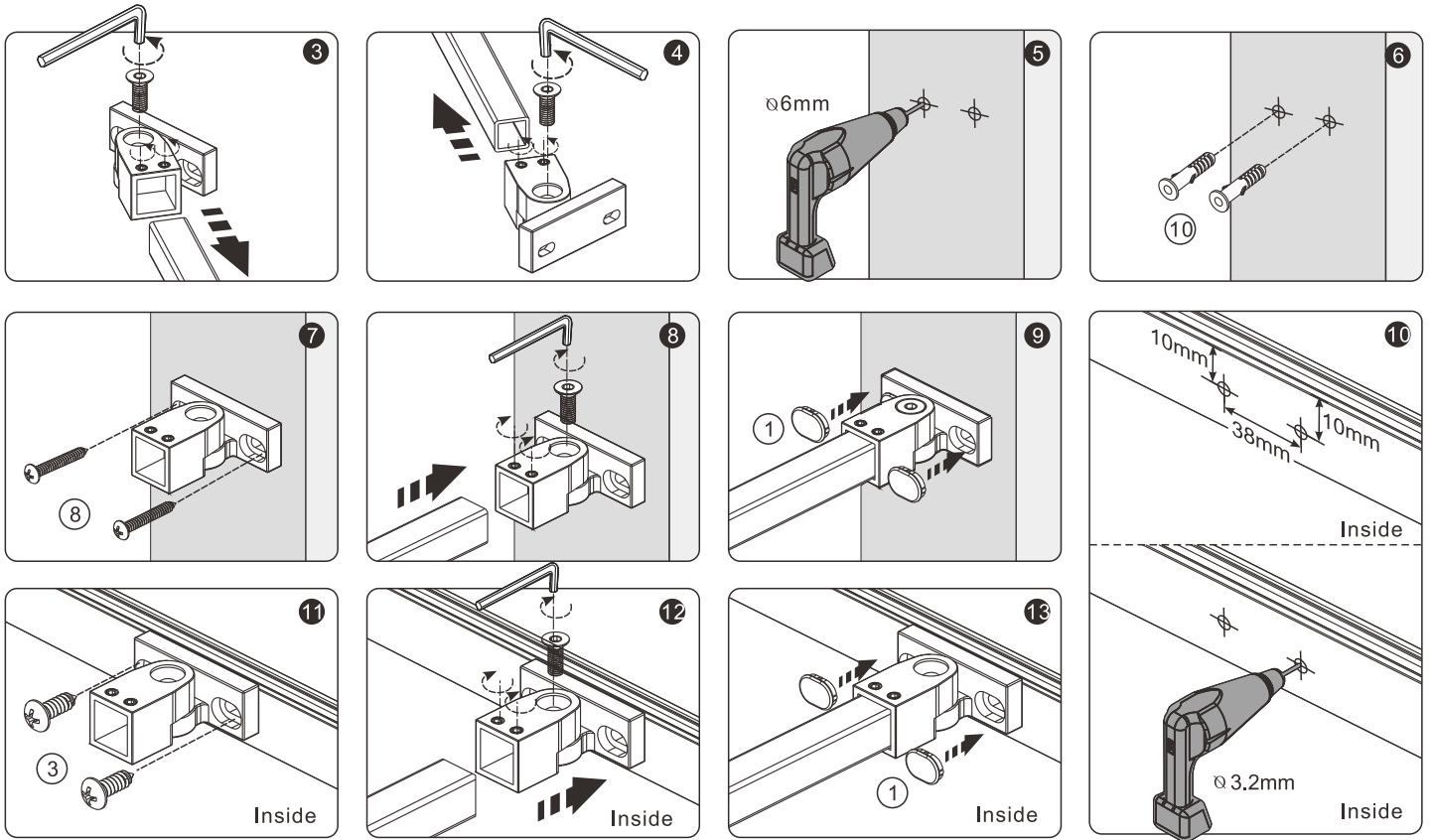
Continue

B 05-1



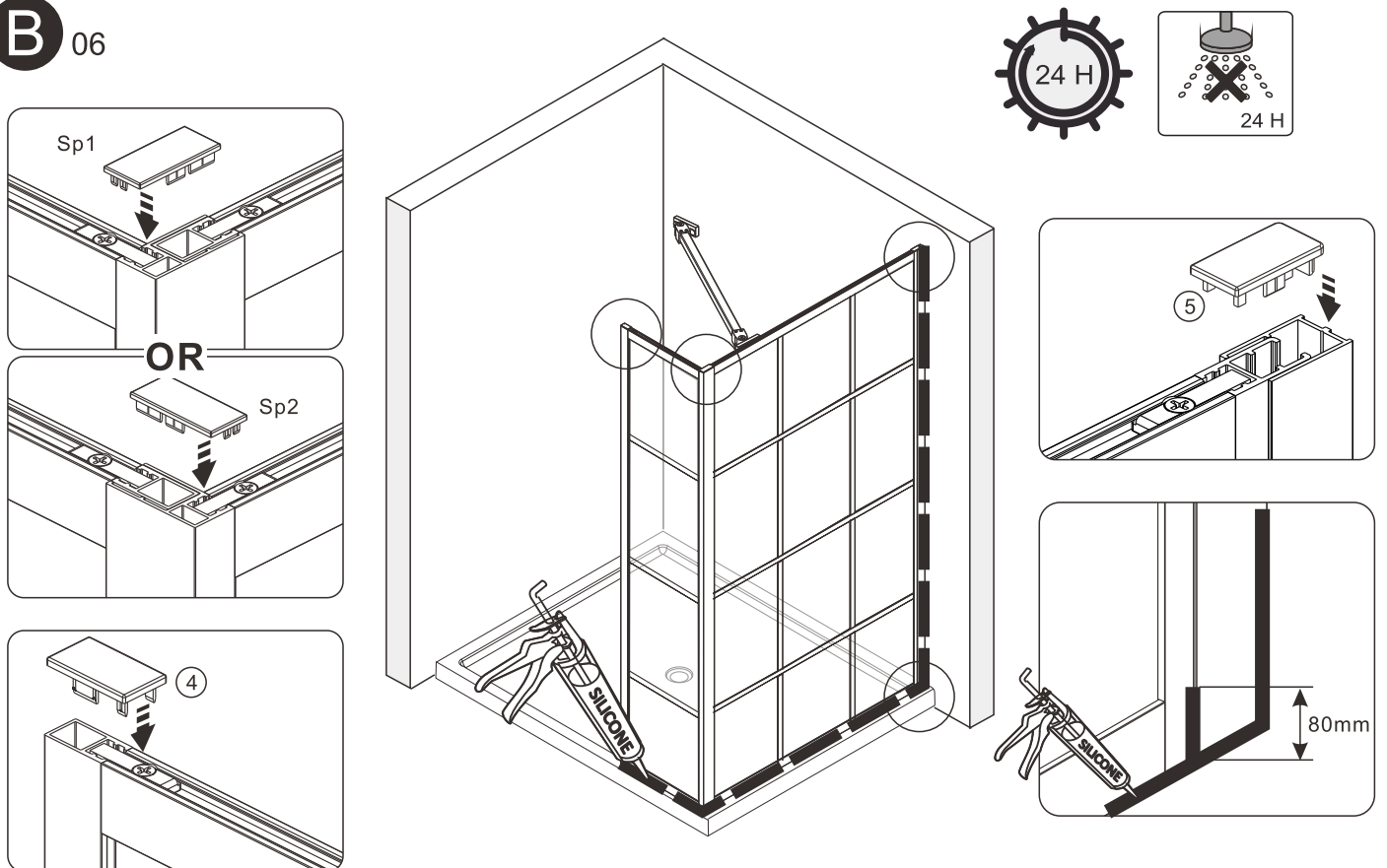
Continue

B 05-2



Continue

B 06



Maintenance & Cleaning

Use a PH-neutral cleaning agent to maintain and clean the surface of your product. Not to use alkaline, solvent, acid and chloric or scrubbing agents.

To maintain the surface of your product, wipe with a clean damp cloth and wipe dry, do not use any abrasive cleaning agents or materials. If any harsh chemicals come into contact with the surface of the product, rinse and wipe clean immediately.

For more information

- visit betterbathrooms.com
- email customerservices@buyitdirect.co.uk
- call 03303903062
- write to Trident Business Park, Neptune Way, Huddersfield, HD2 1UA

**better
bathrooms** 

Part of the BuyItDirect Group

HELSINKI

INSTALLATION INSTRUCTIONS

Recessed Installation

1. Cut flooring, allowing clearance on width and length of the tray to enable the tray to slot into position.
2. Ensure the joists are adapted to give complete support to the shower tray.
3. Install as per flat to floor installation.

Maintenance

As good as new finish can be maintained by following these simple instructions:

1. Dry out the tray fully after every use, to avoid build up of limescale and soap residue.
2. Clean the shower tray regularly using a damp cloth or sponge, dry with a soft dry cloth.
3. Occasionally use a non-abrasive cleaner to remove stubborn stains.

Check List

PLEASE NOTE: These checks should be carried out **before installation**.

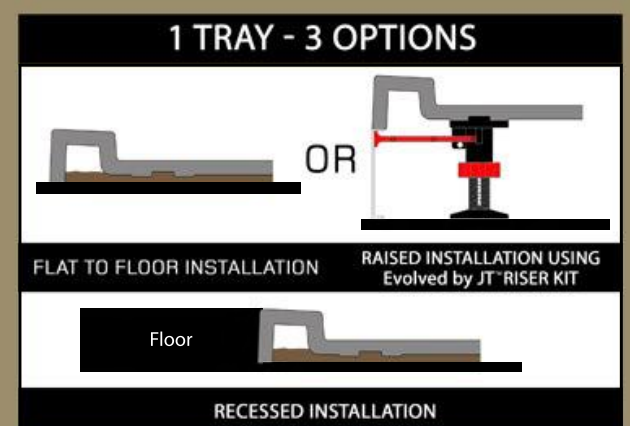
- TICK
- 1. Ensure the Quality Acceptance section has been read and understood.
 - 2. Ensure the enclosure dimensions are compatible with the shower tray.
 - 3. Check for any transit damage or product defects.
 - 4. Perform a shower tray water drainage test before installation.
 - 5. Check that all Riser kit contents are present.* (See table below)

Riser Kit Number	Legs	Panel Support	Large Circular Sticky Pad	Small Circular Sticky Pad	Floor Clips	Panels
1	6	4	6	4	6	1
6	10	6	10	6	7	2

*Riser kits must be purchased separately.

Quality Acceptance

1. Fitting the product is acceptance of quality.
2. All guarantees are void unless all these instructions are followed. (Including maintenance)
3. In acceptance of quality, the check list must be completed.



RAISED INSTALLATION

Preparation

1. Scribe 2. Prepare

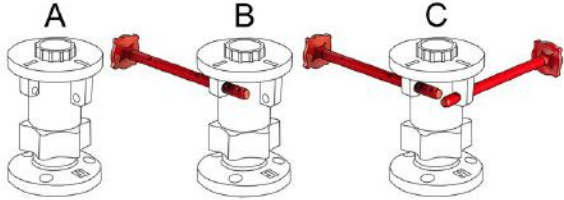
1. Place the tray in situ. Scribe a pencil line around the tray and waste hole as shown. Refer to step 1 of the waste instructions and turn the tray over on to a soft dust sheet.



2.

Determine the required:
 - Tray diagram below appropriate to your installation
 - Leg assemblies: A, B, C
 - Positions of Panel supports
 - Required panel positions

Leg Assemblies



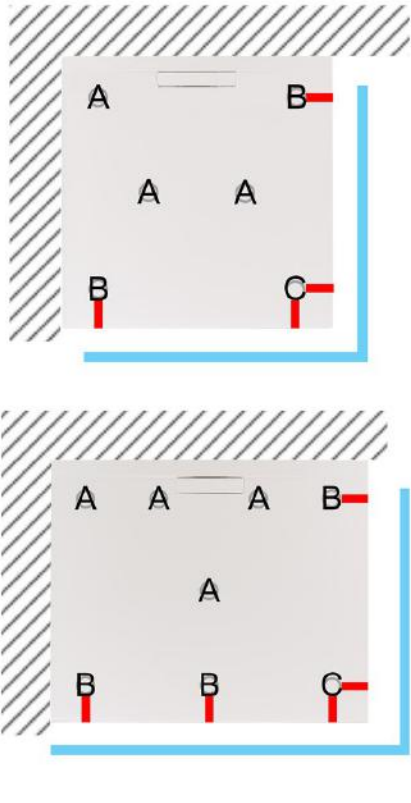
Rule: Panel supports should be used on open edges and to support panels only. When waste is against a wall, leg C should be used in the open corner as shown below.

Walls

ABC Legs

Panel Supports

Panels

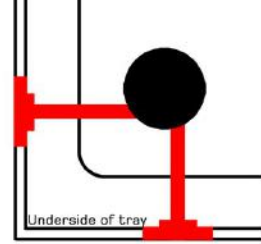


Fitting

3. Assembly + Leg Fitting

3. Apply the large circular sticky pads to all leg bayonet fittings. Following diagrams A to D below, fix all the legs to the built-in leg fixing locations. Use step 2 diagrams for reference.

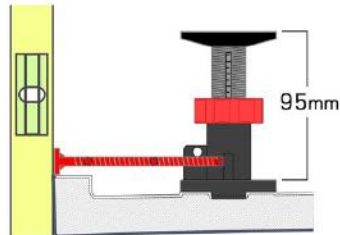
A. Align panel supports
90° to outside wall



B. Fit



C. Adjust



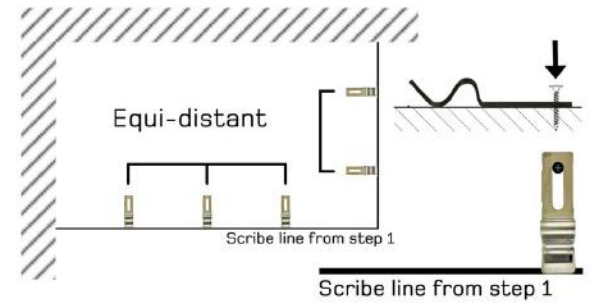
D. Level



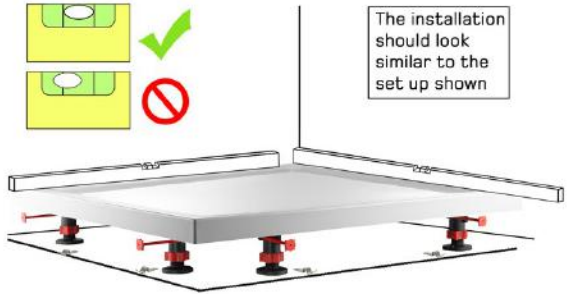
Finishing

4. Clips 5. Level 6. Fix 7. Panels 8. Seal

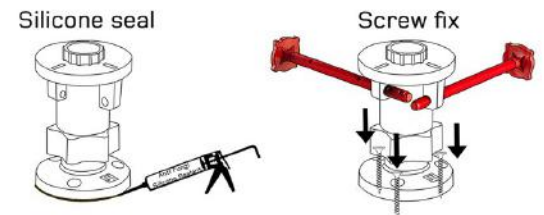
4. Screw down all floor clips as shown below.



5. Turn the tray over and peel the protective film from the outer edges and waste only. Place the tray in situ and level both ways.

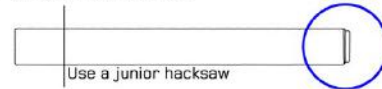


6. Refer to step 2 of the waste instructions then proceed to fix all legs to the floor. Screw fix legs where possible and fix the centre leg(s) last to form a stabilising point.



7. Panels - Retain the return rebated ends (circled). Follow steps A to C below to fit the panels. Ensure quad panels line up with quad trays

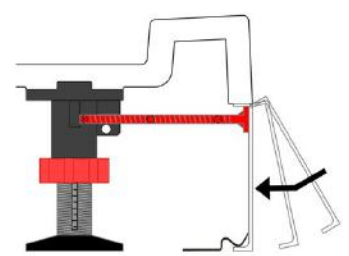
A. Mark and cut



B. Apply the small sticky pads



C. Fit to tray



8. To complete the installation, tile and seal all joints by following steps 7 and 8 of the FLAT TO FLOOR 'Finishing' section below.

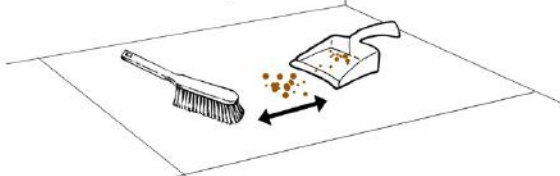
The following items, which are not provided, are also required to complete the installation: - A soft dust sheet - 10mm marine plywood - Sand and cement - Anti-fungal silicone sealant

FLAT TO FLOOR INSTALLATION

Preparation

1. Clean 2. Base 3. Film

1. Prepare area by clearing all debris and levelling off.



2. Ensure the flooring is moisture resistant. A marine ply base (min. 10mm thick) is required if the floor is not moisture resistant. Cut a hole to accommodate the waste and ensure the floor is well supported.



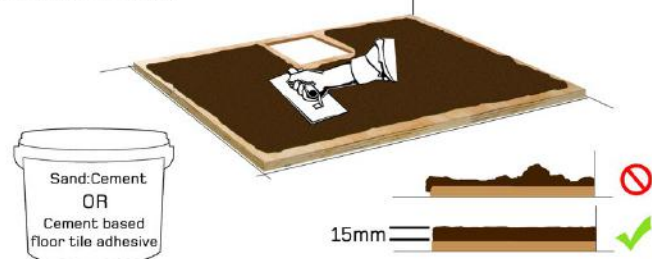
3. Remove protective film from wall sides and waste only. Refer to step 1 of the waste instructions.



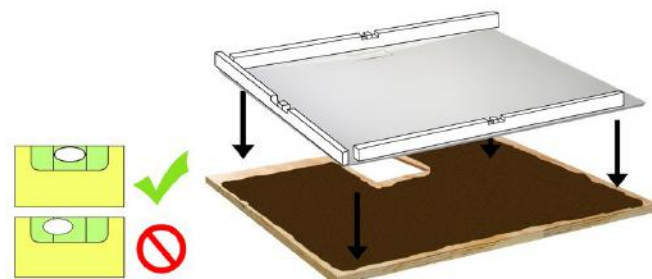
Fitting

4. Base 5. Fit and Level

4. Cover the base with a 15mm thick 5:1 ratio Sand:Cement mix.



5. Carefully lower the tray onto the prepared base. Gently press on the tray to force it into position and level off. Ensure tray is completely level.



Finishing

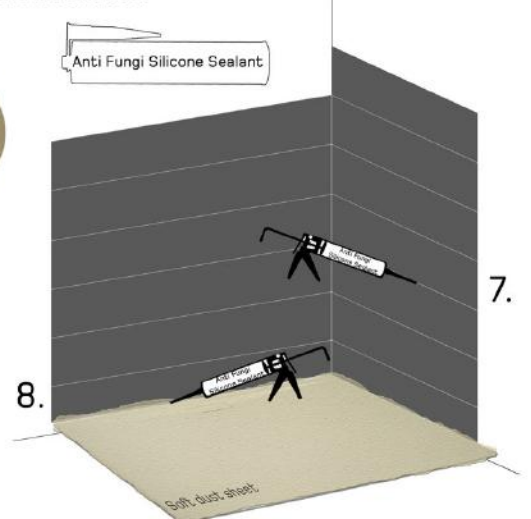
6. Waste 7. Tile 8. Seal

IMPORTANT: Allow tray to fully set for 24 hours before proceeding

6. Refer to step 2 of the waste instructions.

7. Protect the tray with a soft dust sheet and commence tiling.

8. Seal all joints and allow to set to complete the installation.



HELSINKI

INSTALLATION INSTRUCTIONS

Recessed Installation

1. Cut flooring, allowing clearance on width and length of the tray to enable the tray to slot into position.
2. Ensure the joists are adapted to give complete support to the shower tray.
3. Install as per flat to floor installation.

Maintenance

As good as new finish can be maintained by following these simple instructions:

1. Dry out the tray fully after every use, to avoid build up of limescale and soap residue.
2. Clean the shower tray regularly using a damp cloth or sponge, dry with a soft dry cloth.
3. Occasionally use a non-abrasive cleaner to remove stubborn stains.

Check List

PLEASE NOTE: These checks should be carried out **before installation**.

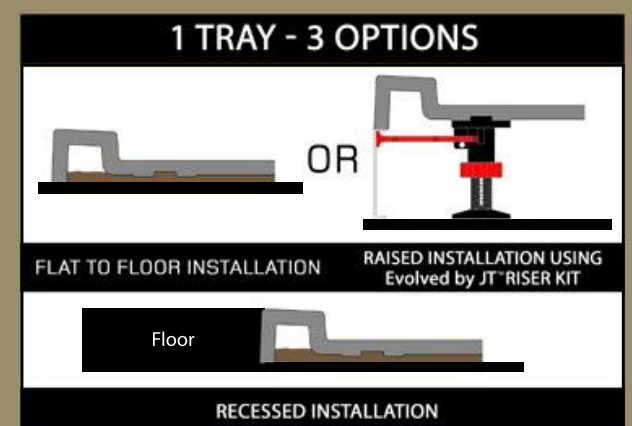
- TICK
- 1. Ensure the Quality Acceptance section has been read and understood.
 - 2. Ensure the enclosure dimensions are compatible with the shower tray.
 - 3. Check for any transit damage or product defects.
 - 4. Perform a shower tray water drainage test before installation.
 - 5. Check that all Riser kit contents are present.* (See table below)

Riser Kit Number	Legs	Panel Support	Large Circular Sticky Pad	Small Circular Sticky Pad	Floor Clips	Panels
1	6	4	6	4	6	1
6	10	6	10	6	7	2

*Riser kits must be purchased separately.

Quality Acceptance

1. Fitting the product is acceptance of quality.
2. All guarantees are void unless all these instructions are followed. (Including maintenance)
3. In acceptance of quality, the check list must be completed.



RAISED INSTALLATION

Preparation

1. Scribe 2. Prepare

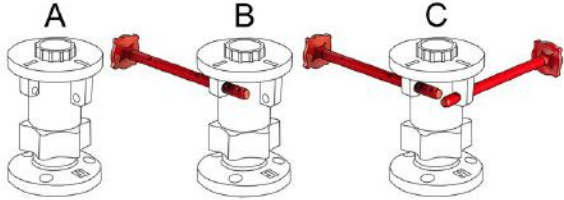
1. Place the tray in situ. Scribe a pencil line around the tray and waste hole as shown. Refer to step 1 of the waste instructions and turn the tray over on to a soft dust sheet.



2.

Determine the required:
 - Tray diagram below appropriate to your installation
 - Leg assemblies: A, B, C
 - Positions of Panel supports
 - Required panel positions

Leg Assemblies



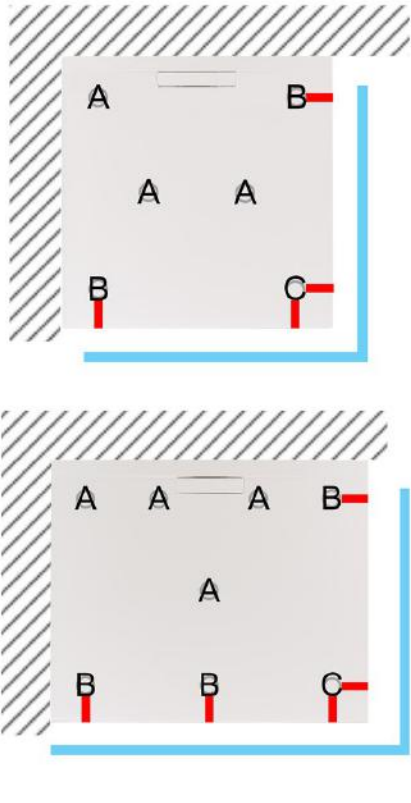
Rule: Panel supports should be used on open edges and to support panels only. When waste is against a wall, leg C should be used in the open corner as shown below.

Walls

ABC Legs

Panel Supports

Panels

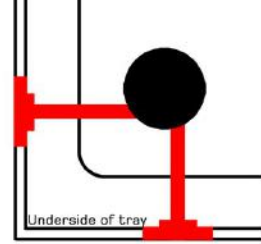


Fitting

3. Assembly + Leg Fitting

3. Apply the large circular sticky pads to all leg bayonet fittings. Following diagrams A to D below, fix all the legs to the built-in leg fixing locations. Use step 2 diagrams for reference.

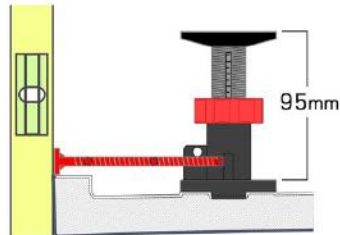
A. Align panel supports
90° to outside wall



B. Fit



C. Adjust



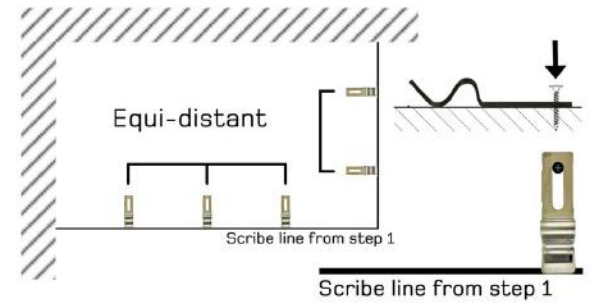
D. Level



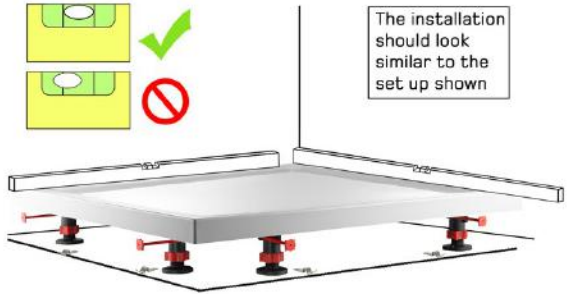
Finishing

4. Clips 5. Level 6. Fix 7. Panels 8. Seal

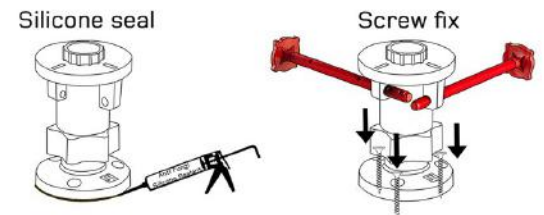
4. Screw down all floor clips as shown below.



5. Turn the tray over and peel the protective film from the outer edges and waste only. Place the tray in situ and level both ways.

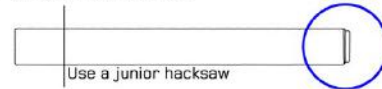


6. Refer to step 2 of the waste instructions then proceed to fix all legs to the floor. Screw fix legs where possible and fix the centre leg(s) last to form a stabilising point.



7. Panels - Retain the return rebated ends (circled). Follow steps A to C below to fit the panels. Ensure quad panels line up with quad trays

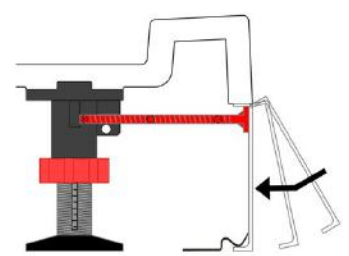
A. Mark and cut



B. Apply the small sticky pads



C. Fit to tray



8. To complete the installation, tile and seal all joints by following steps 7 and 8 of the FLAT TO FLOOR 'Finishing' section below.

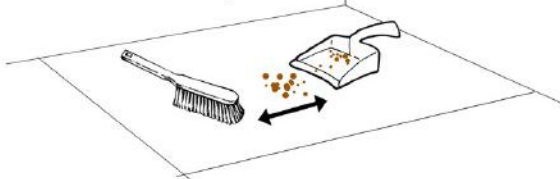
The following items, which are not provided, are also required to complete the installation: - A soft dust sheet - 10mm marine plywood - Sand and cement - Anti-fungal silicone sealant

FLAT TO FLOOR INSTALLATION

Preparation

1. Clean 2. Base 3. Film

1. Prepare area by clearing all debris and levelling off.



2. Ensure the flooring is moisture resistant. A marine ply base (min. 10mm thick) is required if the floor is not moisture resistant. Cut a hole to accommodate the waste and ensure the floor is well supported.



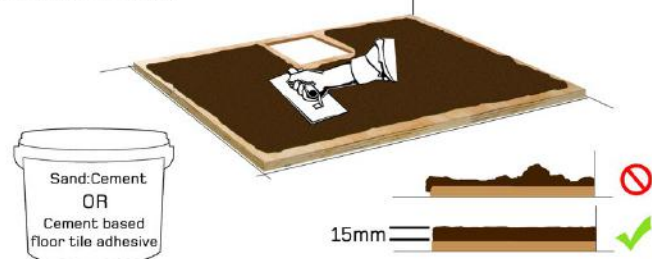
3. Remove protective film from wall sides and waste only. Refer to step 1 of the waste instructions.



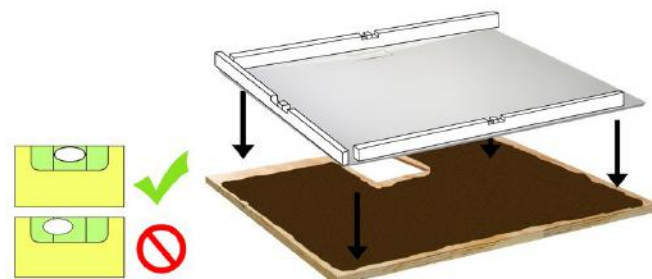
Fitting

4. Base 5. Fit and Level

4. Cover the base with a 15mm thick 5:1 ratio Sand:Cement mix.



5. Carefully lower the tray onto the prepared base. Gently press on the tray to force it into position and level off. Ensure tray is completely level.



Finishing

6. Waste 7. Tile 8. Seal

IMPORTANT:
Allow tray to fully set for 24 hours before proceeding

6. Refer to step 2 of the waste instructions.

7. Protect the tray with a soft dust sheet and commence tiling.

8. Seal all joints and allow to set to complete the installation.

